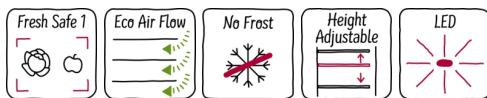


N 50, built-in fridge-freezer with freezer at bottom, 177.2 x 54.1 cm, sliding hinge
KI7862SE0G



This No Frost built-in fridge-freezer with Fresh Safe 1 <math><0^{\circ}\text{C}></math> keeps food fresh and ensures ideal air circulation in the fridge.

- ✓ Fresh Safe 1 – Flexible fridge drawer for fruit and vegetables.
- ✓ Eco Air Flow – Even air circulation for constant temperatures and fast cooling.
- ✓ No Frost – No more defrosting your freezer.
- ✓ Adjustable Glass Shelves – Height adjustable shelves create the space you need for inspiring dishes in your fridge
- ✓ LED Light – Illuminate your fridge with long-life LEDs.

Features

Technical Data

Energy Efficiency Class : E

Average annual energy consumption in kilowatt hour per year (kWh/a) : 234 kWh/a

Sum of volume of frozen compartments : 76 l

Sum of volume of chill compartments : 184 l

Airborne acoustical noise emissions : 35 dB(A) re 1 pW

Airborne acoustical noise emission class : B

Construction type : Built-in

Door panel options : Not possible

Width of the appliance : 541 mm

Depth of the product : 548 mm

Min. required niche size for installation (HxWxD) : 1775.0 x 560 x 550 mm

Net weight : 52.1 kg

Fuse protection : 10 A

Door hinge : Right reversible

Voltage : 220-240 V

Frequency : 50 Hz

Length of electrical supply cord : 230.0 cm

Number of compressors : 1

Number of independent cooling systems : 1

Interior ventilator : No

Reversible Door Hinge : Yes

Number of Adjustable Shelves in fridge compartment (Stck) : 3

Shelves for Bottles : No

Frost free system : Freezer

Installation type : Full-integrated

Type of hinge : Follow-door



4 242004 257578

N 50, built-in fridge-freezer with freezer at bottom,
 177.2 x 54.1 cm, sliding hinge
 KI7862SE0G

Features

Design features

- easy Installation

Performance and Consumption

- EU19_EEK_D: E
- Total Volume : 260 l
- Net Fridge Volume : 184 l
- Net Freezer Volume : 76 l
- Freezing capacity 24h : 4 kg
- Annual Energy Consumption: 234 kWh/a
- Climate Class: SN-ST
- Noise Level : 35 dB , EU19_Noise emission class_D: B
- Temperature rise time : EU19_Temperature rise time_D: 10 H

Functions

- Bright interior LED fridge light

Design features

- Electronic control (LED chain)
- Super Cooling: No
- SuperFreeze function with automatic deactivation
- optical, acoustic for Fridge and Freeze

Design features

- 4 safety glass shelves in fridge compartment of which 3 are height adjustable
- 3 door trays, including 1x dairy compartment
- 1 removable door storage compartments.
- 3 door bins

Freshness System

- 1 FreshSafe drawer with humidity control retains freshness for longer.

Food freshness system

- noFrost freezer, never have to defrost ever again
- 3 freezer drawers

Dimension and installation

- Dimensions: 177.2 cm H x 54.1 cm W x 54.8 cm D
- Niche Dimensions: 177.5 cm H x 56 cm W x 55 cm D

Key features - Fridge section

- Right hinged door, reversible
- 220 - 240 V

Key features - Freezer section

- 2 x egg tray, 1 x ice cube tray

Country Specific Options

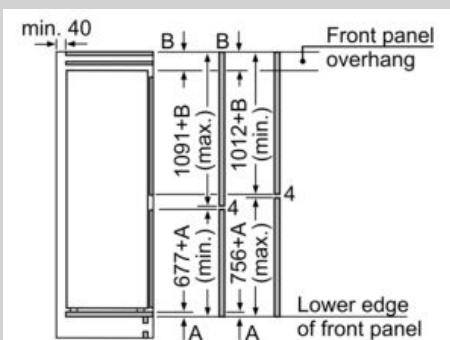
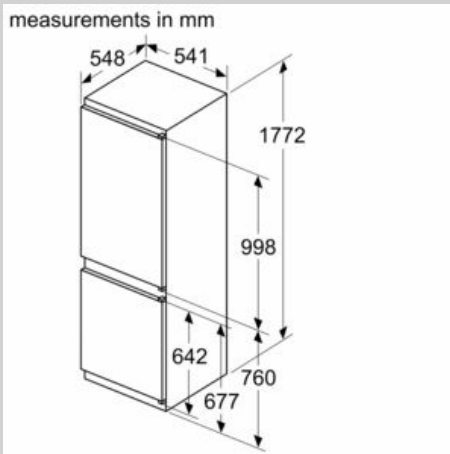
- Based on the results of the standard 24-hour test. Actual consumption depends on usage/position of the appliance.

Additional features

- Net 4* compartment volume : 76 l

N 50, built-in fridge-freezer with freezer at bottom,
 177.2 x 54.1 cm, sliding hinge
 KI7862SE0G

Dimensioned drawings



The specified unit door dimensions
 are valid for a door gap of 4 mm.

measurements in mm

