

Series 4, Free-standing fridge-freezer with freezer at bottom, 186 x 60 cm, White
KG362WDFG



NoFrost bottomfreezer : no need to defrost your freezer

- **Perfect Fit:** place your fridge right next to walls or other appliances to save space.
- **VitaFresh XXL Pro near 0°C:** climate-controlled compartments lock in freshness and nutrients for longer.
- **Two cooling systems:** separately controllable fridge and freezer compartments
- **Super Cool function:** cools new food faster, to protect what is already inside.
- **Multi Airflow System:** even air distribution for longer freshness.

Technical Data

Energy Efficiency Class:D
 Average annual energy consumption in kilowatt hour per year (kWh/a): 199 kWh/annum
 Sum of volume of frozen compartments: 103 l
 Sum of volume of chill compartments: 218 l
 Airborne acoustical noise emissions :35 dB(A) re 1 pW
 Airborne acoustical noise emission class:B
 Built-in / Free-standing: Freestanding
 Door panel options: Not possible
 Height: 1860 mm
 Width of the appliance: 600 mm
 Depth: 665 mm
 Net weight: 64.7 kg
 Fuse protection: 13 A
 Door hinge: Right reversible
 Voltage: 220-240 V
 Frequency: 50 Hz
 Length electrical supply cord: 231.0 cm
 Number of compressors: 1
 Number of independent cooling systems: 2
 Interior ventilator: No
 Reversible Door Hinge: Yes
 Number of Adjustable Shelves in fridge compartment: 2
 Shelves for Bottles: Yes
 Frost free system: Fridge and freezer
 Installation typology: Free-standing



Series 4, Free-standing fridge-freezer with freezer at bottom, 186 x 60 cm, White KGN362WDFG

- consumption depends on usage/position of the appliance.
- 4 safety glass shelves of which 2 are height adjustable

NoFrost bottomfreezer : no need to defrost your freezer

Performance and Consumption

- EU19_EEK_D: D
- Total Volume : 321 l
- Net Fridge Volume : 218 l
- Net Freezer Volume : 103 l
- Freezing capacity 24h : 9.5 kg
- Annual Energy Consumption: 199 kWh/a
- Noise Level : 35 dB , EU19_Noise emission class_D: B
- Climate Class: SN-T
- EU19_Fast freezer facility_D
- Temperature rise time : EU19_Temperature rise time_D: 14 H

Design features

- Standard door White
- White doors and white side panels
- Integrated vertical handle

Functions

- Bright interior LED fridge light in fridge section
- NO_FROST_NEU_BL, never have to defrost ever again
- Separate, electronic temperature control with LED display
- Two separate cooling circuits allow independent temperature control and prevents the transference of humidity between the fridge and freezer cavity
- Super Cooling: automatic deactivation
- Optical and accoustical
- Freezer malfunction warning signal: optical and acoustical warning system
- Right hinged door, door reversible

Freshness System

- MultiAirflow system - improves circulation of air around the fridge
- 1 VitaFresh drawer - Fish and meat stay fresh for longer
- 1 VitaFresh drawer with humidity control - Fruits and vegetables retain vitamins and stay fresh for longer

Dimension and installation

- Dimensions: 186 cm H x 60 cm W x 66.5 cm D
- Height adjustable front feet
- 220 - 240 V

Key features - Fridge section

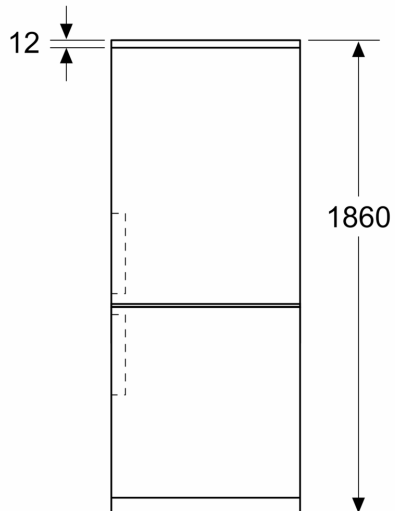
- White glossy back wall
- Door shelves in fridge door: 1 large and 2 small.
- 4 safety glass shelves (2 height adjustable)
- Metal bottle rack
- 3 x egg tray, 1 x ice cube tray

Key features - Freezer section

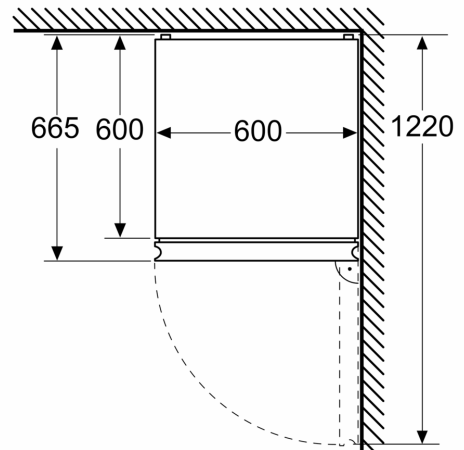
- 3 freezer drawers
- Based on the results of the standard 24-hour test. Actual

**Series 4, Free-standing fridge-freezer
with freezer at bottom, 186 x 60 cm,
White
KGN362WDFG**

Measurements in mm



Measurements in mm



Measurements in mm

