

**Series 4, French door bottom freezer, multi door, 183 x 90.5 cm, Stainless steel (with anti-fingerprint) KFN96APEAG**



**This multi door refrigerator with VitaFresh Box: cools very efficiently - thanks to the cooling compartment, your fruits and vegetables stay fresh longer.**

- **Connectivity:** remotely monitor and control your fridge from your smartphone or tablet.
- **Metal Backwall with Multi Airflow:** evenly circulates cool, fresh air to maintain consistent temperatures.
- **VitaFresh XXL Pro near 0°C:** climate-controlled compartments lock in freshness and nutrients for longer.
- **XXL capacity:** extra space for your food when you need it.
- **Big Box drawer:** easily stack food containers and store larger items in your freezer.

**Technical Data**

Energy Efficiency Class: .....	E
Average annual energy consumption in kilowatt hour per year (kWh/a): .....	333 kWh/annum
Sum of volume of frozen compartments: .....	200 l
Sum of volume of chill compartments: .....	405 l
Airborne acoustical noise emissions : .....	38 dB(A) re 1 pW
Airborne acoustical noise emission class: .....	C
Built-in / Free-standing: .....	Freestanding
Door panel options: .....	Not possible
Height: .....	1830 mm
Width of the appliance: .....	905 mm
Depth: .....	731 mm
Net weight: .....	118.3 kg
Fuse protection: .....	10 A
Door hinge: .....	left and right
Voltage: .....	220-240 V
Frequency: .....	50-60 Hz
Length electrical supply cord: .....	240.0 cm
Number of compressors: .....	1
Number of independent cooling systems: .....	1
Interior ventilator: .....	Yes
Reversible Door Hinge: .....	No
Number of Adjustable Shelves in fridge compartment: .....	3
Shelves for Bottles: .....	No
Frost free system: .....	Fridge and freezer
Installation typology: .....	Free-standing



## **Series 4, French door bottom freezer, multi door, 183 x 90.5 cm, Stainless steel (with anti-fingerprint) KFN96APEAG**

**This multi door refrigerator with VitaFresh Box: cools very efficiently - thanks to the cooling compartment, your fruits and vegetables stay fresh longer.**

- 1 VitaFresh drawer - Fish and meat stay fresh for longer
- 1 CrisperBox - vegetable/salad container with humidity control

### **Dimension and installation**

- 220 - 240 V
- Dimensions: 183 cm H x 90.5 cm W x 73.1 cm D
- 4 wheels for easier transport, 3 of them height adjustable.
- Based on the results of the standard 24-hour test. Actual consumption depends on usage/position of the appliance.
- To achieve the declared energy consumption, the distanceholders have to be used. As a result, the appliance depth increases by about 3.5 cm. The appliance used without the distance holder is fully functional, but has a slightly higher energy consumption.

### **Performance and Consumption**

- EU19\_EEK\_D: E
- Total Volume : 605 l
- Net Fridge Volume : 405 l
- Net Freezer Volume : 200 l
- Freezing capacity 24h : 13 kg
- Annual Energy Consumption: 333 kWh/a
- Climate Class: SN-T
- EU19\_Fast freezer facility\_D
- Noise Level : 38 dB , EU19\_Noise emission class\_D: C
- Temperature rise time : EU19\_Temperature rise time\_D: 15 H
- No Frost, Free-standing-refrigerator >= 3 door

### **Design features**

- Standard door Stainless Steel EasyClean
- Standard door
- Stainless Steel EasyClean door and chrome inox metallic side panels.
- Interior design with metal applications
- Metal backwall

### **Key features - Fridge section**

- Electronic control for fridge and freezer with LED display
- 4 safety glass shelves of which 3 are height adjustable, Standard shelf 2 shelves extendable
- Door shelves in fridge door: 2 large and 2 small.
- Super Cooling: automatic deactivation
- 1 dairy compartment in door
- Automatic defrost fridge
- Bright interior LED fridge light in fridge section
- 4 safety glass shelves (3 height adjustable)
- 2 removable door storage compartments.
- Sabbath Mode
- optical, acoustic for Fridge and Freeze

### **Key features - Freezer section**

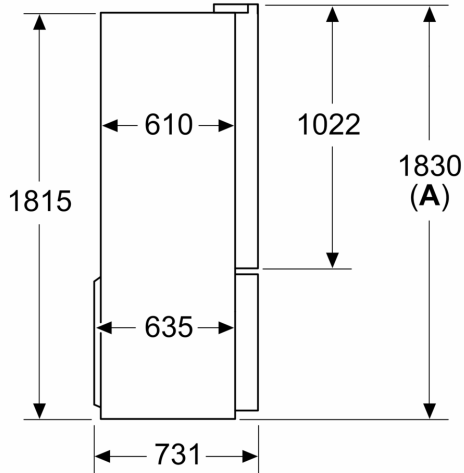
- Bright interior LED fridge light
- 6 freezer drawers
- Net 4\* compartment volume : 200 l
- No Frost
- 1 ice cube tray
- Freezer malfunction warning signal: optical, acoustical
- Freezer malfunction warning signal: Acoustic Warning System

### **Food freshness system**

- MultiAirflow system - improves circulation of air around the fridge

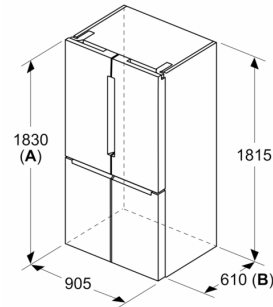
**Series 4, French door bottom  
freezer, multi door, 183 x 90.5 cm,  
Stainless steel (with anti-fingerprint)  
KFN96APEAG**

Measurements in mm



**A:** Front is adjustable 1830–1847 mm, with front levelling feet fully extended

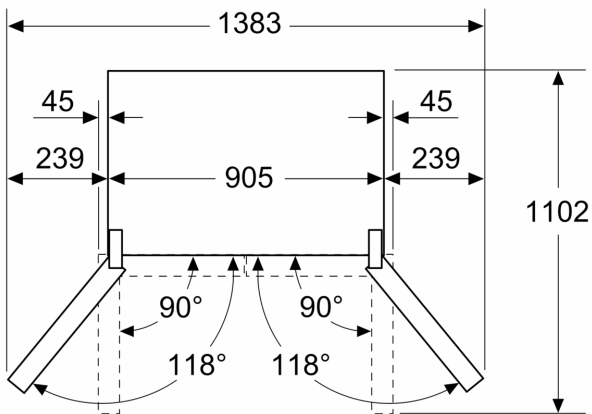
Measurements in mm



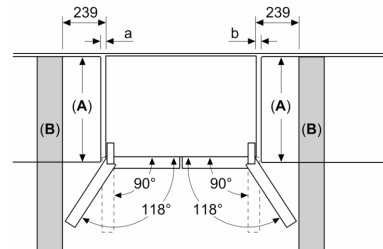
**A:** Front is adjustable 1830–1847 mm, with front levelling feet fully extended

**B:** Add 25 mm for fixed spacers on back

Measurements in mm



Measurements in mm



A	a	b
≤ 600	0	0
600 < A ≤ 650	45	45
650 < A ≤ 700	60	60
> 700	239	239

**A:** Kitchen cabinet or worktop depth

**B:** Wall  
Drawers can be pulled and taken out with door open to 90°