

N 70, Built-in freezer, 122.1 x 55.8 cm, soft close flat hinge  
G17416CEO



COOKING PASSION SINCE 1877



The built-in freezer with automatic defrosting thanks to NoFrost.

- ✓ No Frost – No more defrosting your freezer.
- ✓ Individualize your drawers with various loading options to create the optimal fit for frozen goodies
- ✓ BigBox: An abundance of storage space even for large and bulky items.
- ✓ Softclose: When it reaches an angle of 20° the door softly closes itself.

#### Features

##### Technical Data

Energy Efficiency Class : E  
 Average annual energy consumption in kilowatt hour per year (kWh/a) : 206 kWh/annum  
 Sum of volume of frozen compartments : 130 l  
 Airborne acoustical noise emissions : 36 dB(A) re 1 pW  
 Airborne acoustical noise emission class : C  
 Thermometer freeze section : Digital  
 Light : No  
 Product category : Upright freezer  
 Construction type : Built-in  
 Door panel options : Not possible  
 Frost free system : Fridge and freezer  
 Height of the product : 1221 mm  
 Width of the appliance : 558 mm  
 Depth of the product : 545 mm  
 Dimensions of the packed product (HxWxD) : 1290 x 640 x 620 mm  
 Net weight : 47.7 kg  
 Gross weight : 50.9 kg  
 Connection rating : 120 W  
 Fuse protection : 10 A  
 Frequency : 50-60 Hz  
 Approval certificates : CE, VDE  
 Length of electrical supply cord : 230 cm  
 Door hinge : Left reversible  
 Storage Period in Event of Power Failure (h) : 9 h  
 Warning signal / malfunction : visual and audible  
 Door lock : No  
 Number of drawers/baskets (Stck) : 4  
 Number of freezing flaps (Stck) : 1  
 EAN code : 4242004247647  
 Brand : Neff  
 Product name / Commercial code : G17416CEO  
 Product category : Upright freezer  
 Included accessories : 1 x ice cube tray



N 70, Built-in freezer, 122.1 x 55.8 cm, soft close  
flat hinge  
G17416CEO

## Features

### Functions

- Fixed hinge

### Design features

- Full frost free, never have to defrost ever again
- 7 segment electronic display
- 1 compressor/1 cold circuit
- SuperFreeze function with automatic deactivation
- FreshSense - constant temperature by intelligent sensor technology - Constant temperature control by intelligent sensor technology
- Freezer malfunction warning signal: optical, acoustical

### Freezer Section

- 1 hinged freezer compartment
- 4 transparent freezer drawers, 1 bigbox

### Technical Information

- Left hinged door, reversible
- Connection value 120 W
- 220 - 240 V

### Dimension and installation

- Niche Dimensions: 122.5 cm H x 56 cm W x 55 cm D
- Dimensions: 122.1 cm H x 55.8 cm W x 54.5 cm D

### Accessories

- ice cube tray

### Included accessories

- KF1413S0, KF1413Z0

### Country Specific Options

- Based on the results of the standard 24-hour test. Actual consumption depends on usage/position of the appliance.

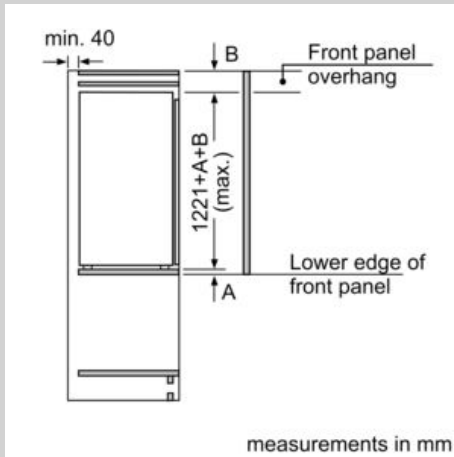
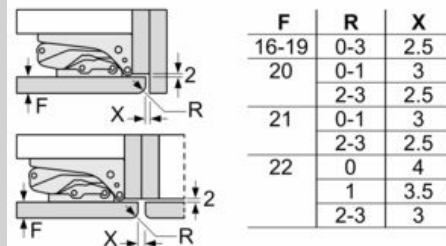
### Additional features

### Performance and Consumption

- EU19\_EEK\_D: E
- Total Volume : 130 l
- Net 4\* compartment volume : 130 l
- Freezing capacity 24h : 10 kg
- Annual Energy Consumption: 206 kWh/a
- Climate Class: SN-T
- Noise Level : 36 dB , EU19\_Noise emission class\_D: C

N 70, Built-in freezer, 122.1 x 55.8 cm, soft close  
flat hinge  
G17416CEO

## Dimensioned drawings


 measurements in mm  
Recommended gap dimensions for flat hinges


The gap dimensions recommended in the table must be adhered to in order to ensure that appliance doors do not collide with anything when they are opened, and to avoid causing damage to kitchen units.

