

N 70, Built-in freezer, 87.4 x 55.8 cm, soft close flat hinge
G11216DE0



COOKING PASSION SINCE 1877



This built-in freezer helps to defrost faster and features a malfunction warning signal in case of increasing temperature.

- ✓ LowFrost: Reduces frost in the freezer compartment for faster defrosting.
- ✓ BigBox: An abundance of storage space even for large and bulky items.
- ✓ Softclose: When it reaches an angle of 20° the door softly closes itself.

Features

Technical Data

Energy Efficiency Class : E
 Average annual energy consumption in kilowatt hour per year (kWh/a) : 176 kWh/annum
 Sum of volume of frozen compartments : 96 l
 Airborne acoustical noise emissions : 36 dB(A) re 1 pW
 Airborne acoustical noise emission class : C
 Thermometer freeze section : None
 Light : No
 Product category : Upright freezer
 Construction type : Built-in
 Door panel options : Not possible
 Frost free system : No
 Height of the product : 874 mm
 Width of the appliance : 558 mm
 Depth of the product : 545 mm
 Dimensions of the packed product (HxWxD) : 950 x 640 x 620 mm
 Net weight : 39.8 kg
 Gross weight : 42.6 kg
 Connection rating : 90 W
 Fuse protection : 10 A
 Frequency : 50-60 Hz
 Approval certificates : CE, VDE
 Length of electrical supply cord : 230 cm
 Door hinge : Right reversible
 Storage Period in Event of Power Failure (h) : 13 h
 Defrost process : manual
 Warning signal / malfunction : visual and audible
 Door lock : No
 Number of drawers/baskets (Stck) : 3
 Number of freezing flaps (Stck) : 0
 EAN code : 4242004247623
 Brand : Neff
 Product name / Commercial code : G11216DE0
 Product category : Upright freezer
 Included accessories : 1 x ice cube tray



4 242004 247623

N 70, Built-in freezer, 87.4 x 55.8 cm, soft close flat hinge
G11216DE0

Features

Design features

Functions

- Fixed hinge
- lowFrost freezer - less ice build up, faster defrosting
- SuperFreeze function with automatic deactivation
- Electronic control (LED chain)
- Freezer malfunction warning signal: optical, acoustical

Food freshness system

- 3 transparent freezer drawers, 1 bigbox

Key features - Fridge section

- Right hinged door, reversible
- Connection value 90 W
- 220 - 240 V

Dimension and installation

- Dimensions: 87.4 cm H x 55.8 cm W x 54.5 cm D
- Niche Dimensions: 88 cm H x 56 cm W x 55 cm D

Key features - Freezer section

- ice cube tray

Included accessories

- KF1213S0, KF1213Z0

Design features

Dimension and installation

Country Specific Options

- Based on the results of the standard 24-hour test. Actual consumption depends on usage/position of the appliance.

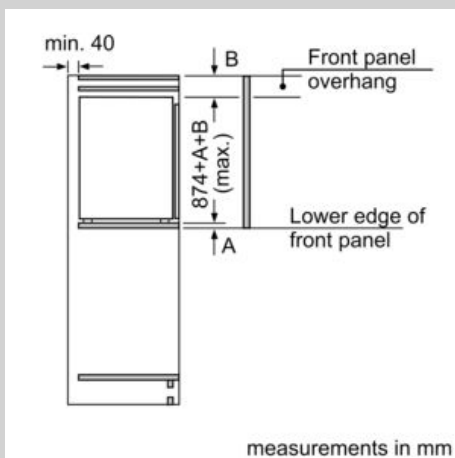
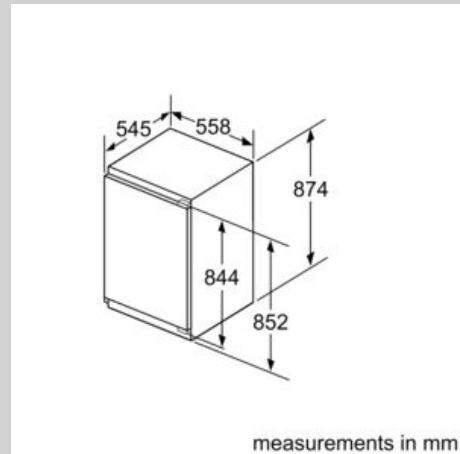
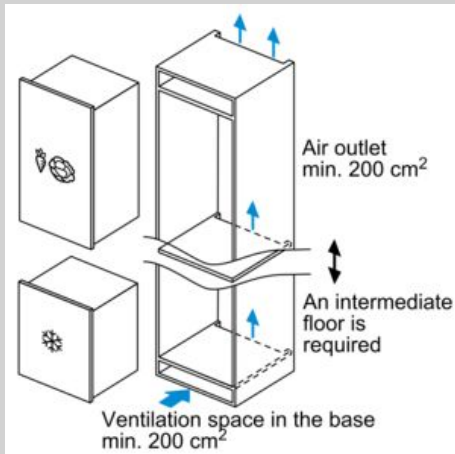
Additional features

Performance and Consumption

- EU19_EEK_D: E
- Total Volume : 96 l
- Freezing capacity 24h : 5 kg
- Annual Energy Consumption: 176 kWh/a
- Climate Class: SN-T
- Noise Level : 36 dB , EU19_Noise emission class_D: C

N 70, Built-in freezer, 87.4 x 55.8 cm, soft close flat hinge
G11216DE0

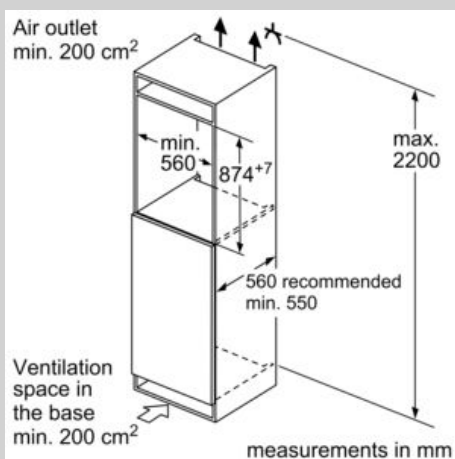
Dimensioned drawings



measurements in mm
Recommended gap dimensions for flat hinges

F	R	X
16-19	0-3	2.5
20	0-1	3
	2-3	2.5
21	0-1	3
	2-3	2.5
22	0	4
	1	3.5
	2-3	3

The gap dimensions recommended in the table must be adhered to in order to ensure that appliance doors do not collide with anything when they are opened, and to avoid causing damage to kitchen units.



Maximal permissible weight of the unit fronts

Fitted unit fronts that exceed the permissible weight may cause damage and result in functional impairment of the hinges

Δ Weight
A: Appliance door height including hinges in mm
B: Undamped hinge, unit front in kg
C: Damped hinge, unit front in kg

A	B	C
1500-1750	22	22
720-1400	19	19
A1	15	19
A2	15	19

N 70, Built-in freezer, 87.4 x 55.8 cm, soft close flat hinge
G11216DE0

Dimensioned drawings

