

**Serie | 6, Integrated Design Hood, 90 cm, clear glass black printed DBB97AM60B**

**B**



**Perfectly integrated design hood for flush installation and optimal usage of space inside your cupboard.**

- **Silent:** maximum extractor performance with minimal noise.
- **Grease filtration level:** filters out over 85% of the grease from kitchen air.
- **Intensive speed setting:** removes strong kitchen odours quickly and effectively.
- An impressive extraction rate of m<sup>3</sup>/h ensures this hood will have your kitchen odour free in no time.
- **Intensive speed setting with reset:** automatically resets the hood to normal speed setting

**Technical Data**

Typology : Built-in/Built-under  
Approval certificates : CE, E17D UKCA marking, VDE  
Length of electrical supply cord : 130 cm  
Required niche size for installation (HxWxD) : 340mm x 860.0mm x 300mm mm  
Height of product, without chimney : 60 mm  
Minimum distance above an electric hob : 430 mm  
Minimum distance above a gas hob : 650 mm  
Net weight : 10.8 kg  
Type of control : Electronic  
Maximum output air extraction : 460 m<sup>3</sup>/h  
Boost position output recirculating : 652 m<sup>3</sup>/h  
Maximum output recirculating air : 451 m<sup>3</sup>/h  
Boost position air extraction : 749 m<sup>3</sup>/h  
Number of lights (Stck) : 3  
Noise level : 63 dB(A) re 1 pW  
Diameter of air outlet : 120 / 150 mm  
Grease filter material : Washable stainless steel  
EAN code : 4242005297955  
Connection rating : 259 W  
Voltage : 220-240 V  
Frequency : 50 Hz  
Plug type : GB plug  
Installation type : Built-in

**Optional accessories**

DWZ0IT0P0 : Long Life odor filter (replacement)  
DWZ1IB6N1 : Chimney extension 187-360 mm  
DWZ1IT1D1 : Long Life recirculation kit external  
DWZ1IX1B6 : Clean Air Plus odor filter (replacement)  
DWZ1IX1C6 : Clean Air Plus recirc. kit external  
DWZ6IB1I4 : Clean Air Standard recirculation kit



## Serie | 6, Integrated Design Hood, 90 cm, clear glass black printed DBB97AM60B

### Perfectly integrated design hood for flush installation and optimal usage of space inside your cupboard.

#### Variant

- 90 cm wide
- Installation: Cupboard 90 cm
- Suitable for ducted or recirculating operation
- For recirculated extraction various recirculation kits are available as optional accessories.

#### Design

- Flush-fitted installation for a seamless integration in wall cupboards.
- Space efficient compact design for extra storage possibilities on the hood, up to max. 10 kg storage weight per side.
- Glass panel with touch control for an easy operation and enhanced vapor capture.
- Extraction and lighting are automatically turned on and off by opening and closing the glass panel.
- Lighting can also be turned on and off when the glass panel is closed by quick hand touch on control panel.
- Includes mats for hood storage areas, protection against scratches and to help prevent items moving in this space.

#### Features

- Electronic control via TouchControl
- 3 power levels & intensive setting
- Softlight dimmer function
- 3 x 2 W LED lights
- Colour Temperature: 3500 K
- Light Intensity: 517 lux
- Automatic intensive revert
- Automatic intensive revert (6mins)
- Steel filter cover
- 2 removable metal grease filter cassettes
- Easy to clean smooth surfaces and materials.

#### Performance

- Extraction rate according to EN 61591  $\varnothing$  15 cm:  
max. Normal use 460 m<sup>3</sup>/h  
Intensive 749 m<sup>3</sup>/h
- Noise level according to EN 60704-3 and EN 60704-2-13 exhaust air:  
Max. normal use: 63 dB(A) re 1 pW  
Intensive: 73 dB(A) re 1 pW
- Noise max. Normal Level: Noise, max. speed in normal us: 63 dB dB\*
- With the Clean Air Plus recirculation kit (available as optional accessory) your appliances reaches:  
Extraction rate in recirculation mode:  
Max. normal use: 451 m<sup>3</sup>/h  
Intensive: 652 m<sup>3</sup>/h  
Noise level in recirculation mode:  
Max. normal use: 67 dB(A) re 1 pW  
Intensive: 74 dB(A) re 1 pW

#### Planning and installation information

- Installation system: IDH comfort installation
- Suitable for installation in bottomless wall cupboards.
- Enclosed spacers for installation in wall cupboards with maximum depth of up to 360mm.
- For installation in higher wall cupboards chimney extensions are available as optional accessories.
- Chimney extensions are compatible with the available recirculation kits.
- Dimensions (HxWxD): 340 x 897 x 298 mm
- Built-in dimensions (HxWxD): 340 x 860 x 300 mm
- Diameter pipe  $\varnothing$  150 mm ( $\varnothing$  120 mm enclosed)
- Back-pressure flap: Yes
- Electrical cable length 1.3 m
- Please reference the built-in dimensions provided in the installation drawings

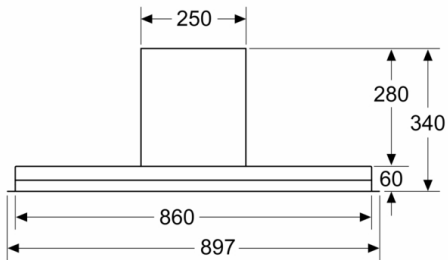
#### Consumption Data

- Energy Efficiency Class: B (at a range of energy efficiency classes from A+++ to D)
- Average Energy Consumption: 64.7 kWh/year\*
- Blower Efficiency Class: B\*
- Lighting Efficiency Class: A\*
- Grease Filtering Efficiency Class: B\*
- Power rating: 259 W

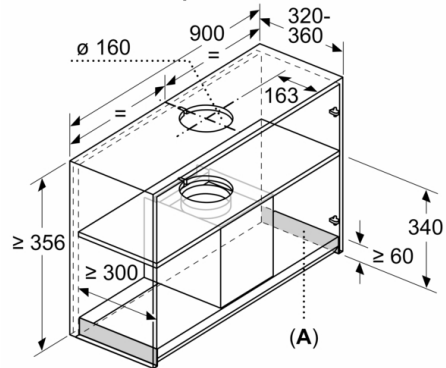
\* In accordance with the EU-Regulation No 65/2014

**Serie | 6, Integrated Design Hood, 90 cm,  
clear glass black printed  
DBB97AM60B**

measurements in mm  
**Front view**

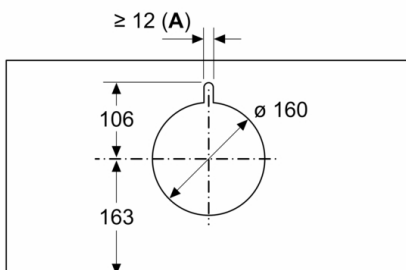


measurements in mm  
**Installation example**



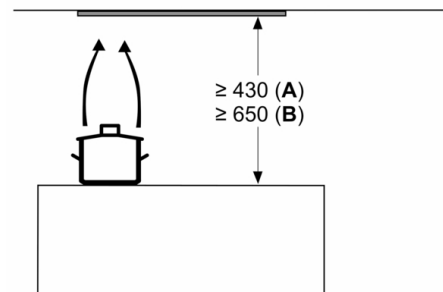
**A:** Area without hinges

measurements in mm



**A:** Cable bushing

measurements in mm



from upper edge of pan support

**A:** min. 430 electric  
**B:** min. 650 gas

measurements in mm  
**side view**

