

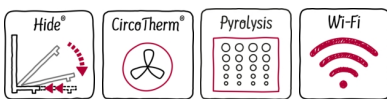
N 50, Built-in oven, 60 x 60 cm, Graphite-Grey  
B6ACH7HGOB



COOKING PASSION SINCE 1877



A



Built-in Slide&Hide® oven with fixed handle - unrestricted access to the oven interior thanks to the fully retracting oven door

- ✓ Hide® – The fully retracting oven door.
- ✓ CircoTherm® – Smart hot-air solution that lets you bake on up to three levels at once.
- ✓ Dual cleaning options: Pyrolytic cleaning programmes - just let the oven interior clean itself. EasyClean - the quick and easy option for day to day maintenance.
- ✓ LCD-Display – simple, straightforward with large characters for clear reading
- ✓ Home Connect – Unleash your creativity via app.

### Features

#### Technical Data

Color / Material Front : Graphite  
 Construction type : Built-in  
 Integrated Cleaning system : Pyrolytic+Hydrolytic  
 Required niche size for installation (HxWxD) : 585-595 x 560-568 x 550 mm  
 Dimensions : 595 x 594 x 548 mm  
 Dimensions of the packed product (HxWxD) : 675 x 690 x 660 mm  
 Control Panel Material : Glass  
 Door Material : Glass  
 Net weight : 40.4 kg  
 Usable volume of cavity : 71 l  
 Cooking method : Bottom heat, Bread Baking Setting, Conventional heat, Full width grill, Hot Air, Hotair gentle, Hot air grilling, Pizza setting  
 First cavity material : Other  
 Oven control : electronic  
 Number of interior lights : 1  
 Approval certificates : CE, VDE  
 Length of electrical supply cord : 120 cm  
 EAN code : 4242004263555  
 Number of cavities (2010/30/EC) : 1  
 Energy efficiency rating : A  
 Energy consumption per cycle conventional (2010/30/EC) : 1.04 kWh/cycle  
 Energy consumption per cycle forced air convection (2010/30/EC) : 0.81 kWh/cycle  
 Energy efficiency index (2010/30/EC) : 95.3 %  
 Connection rating : 2990 W  
 Fuse protection : 13 A  
 Voltage : 220-240 V  
 Frequency : 50; 60 Hz  
 Plug type : no plug

### Optional accessories

Z11AB15A0	Baking tray, non-stick ceramic coated
Z11CB10E0	Baking tray, grey enamelled
Z11CR10X0	Baking and roasting grid (standard)
Z11TF36X0	3 level telescopic rails, full ext
Z11TI15X0	Cliprails



## Features

### Design

- Graphite-Grey Edition
- Elongated designed dials, Retractable control dials, Bevelled oval controls
- Cavity inner surface: enamel grey
- LCD-Display Control (white)
- Electronic clock timer
- Slide&Hide® with fixed handle
- Bar handle
- 4 shelf positions

### Features

- Temperature proposal  
Actual temperature display Heating up indicator Automatic start
- Rapid heat
- Interior halogen light, On/off button
- Cooling fan
- Stainless-steel fan
- Info button
- HomeConnect ready on WLAN
- Door lock during pyrolytic cleaning  
Control panel lock Automatic safety switch off Residual heat indicator Door contact switch

### Cleaning

- Pyrolytic cleaning
- EasyClean
- Full glass inner door

### Programmes/functions

- Oven with 8 cooking functions; 8 cooking functions: heating methods: CircoTherm®, Top/bottom heat, Circo-roasting, Full surface grill, CircoTherm® intensive, Bread baking, Bottom heat, CircoTherm® gentle
- Temperature range 30 °C - 275 °C

### Accessories

- 1 Clip rail, Stop function
- 1 x universal pan, 2 x combination grid

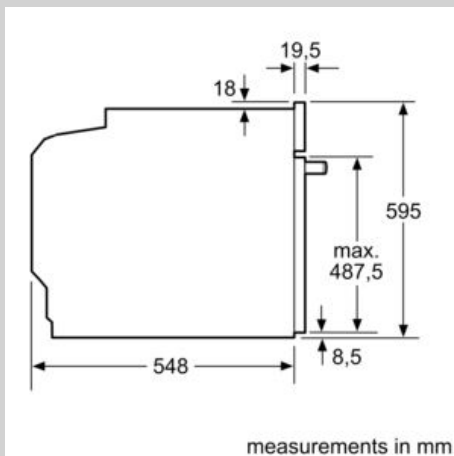
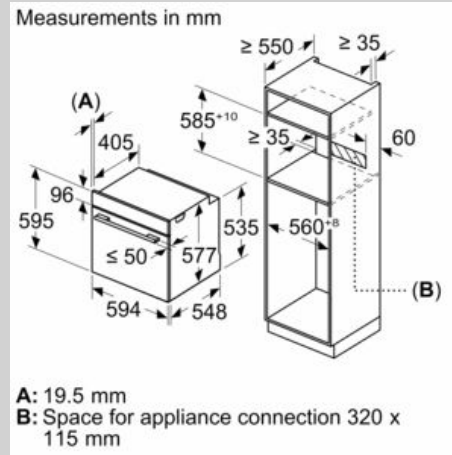
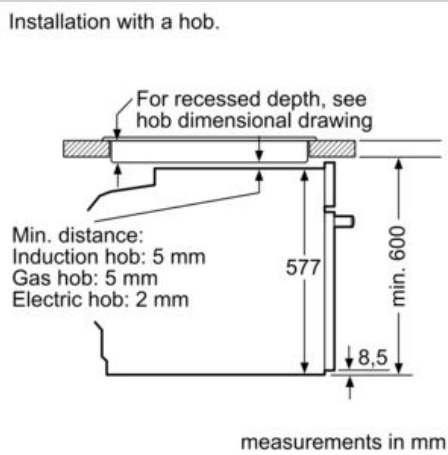
### Technical information

- Cavity volume: 71 litre
- 120 cm Cable length
- Nominal voltage: 220 - 240 V
- Total connected load electric: 2.99 KW
- Energy efficiency rating (acc. EU Nr. 65/2014): A  
Energy consumption per cycle in conventional mode: 1.04 kWh  
Energy consumption per cycle in fan-forced convection mode: 0.81 kWh  
Number of cavities: Main cavity Heat source: electrical Cavity volume: 71 litre

### Performance/technical information

- Appliance dimension (hxwxh): 595 mm x 594 mm x 548 mm
- Niche dimension (hxwxh): 585 mm - 595 mm x 560 mm - 568 mm x 550 mm
- Please refer to the dimensions provided in the installation manual
- We recommend you to choose complementary products within N50, in order to assure an optimal design combination of your Built-In appliances.

Dimensioned drawings



If the appliance will be installed underneath a hob, the following worktop thicknesses (including substructure if necessary) must be taken into account.

Hob type	min. worktop thickness	
	fitted	flush
Induction hob	37 mm	38 mm
Full surface Induction hob	47 mm	48 mm
Gas hob	30 mm	38 mm
Electric hob	27 mm	30 mm

