



# **AWC150**

# **AWC300**

# **AWC600**

Wine coolers

Use and maintenance

# Contents:

3	Important
6	Before first use
7	Notes on use
8	Use and controls
8	Locking and unlocking the control panel
8	Switching the power on and off
9	Changing the temperature
9	Changing the temperature reading (°C/°F)
10	Optimal temperatures for different wines
10	Using the internal lighting
11 - 12	Temperature display (set and real)
13	Care and cleaning
13	Removing the shelves
14	Temperature alarm
14	Troubleshooting
16	Installaling the wine cooler
18	Installing the handle
18	Reversing the door
21	Fitting the plinth
23	Adjusting the plinth
24	Electrical information
26	Bottle storage
27	Climate range

# Important

The CDA Group Ltd cannot be held responsible for injuries or losses caused by incorrect use or installation of this product. Please note that The CDA Group reserve the right to invalidate the guarantee supplied with this product following incorrect installation or misuse of the appliance or use in a commercial environment.

**This appliance is not designed to be used by people (including children) with reduced physical, sensorial or mental capacity, or who lack experience or knowledge about it, unless they have had supervision or instructions on how to use the appliance by someone who is responsible for their safety.**

**Under no circumstances should any external covers be removed for servicing or maintenance except by suitably qualified personnel.**

**Do not use the appliance if the plug, the mains cord or the appliance itself is damaged. If the mains cord is damaged, you must have it replaced by the manufacturer, or an authorised service centre or similarly qualified persons in order to avoid a hazard.**

**Children should be supervised to ensure that they do not play with the appliance. Keep the mains cord out of the reach of children. Do not let the mains cord hang over the edge of the table or worktop on which the appliance stands.**

**This refrigeration appliance is not intended for use as a built-in appliance.**

## Appliance information:

Please enter the details on the appliance rating plate below for reference, to assist Customer Care in the event of a fault with your appliance and to register your appliance for guarantee purposes.

Appliance model	
Serial number	

## Declarations of Conformity:

This appliance has been manufactured to comply with all EU & UK statutory requirements and complies with all applicable legislation and the following European Directives:

- The Low Voltage Directive 2014/35/EU
- Electromagnetic Compatibility Directive 2014/30/EU
- ErP Directive 2009/125/EC
- Directive RoHS 2011/65/EC


This product has been marked with the  and  symbol.

## **IMPORTANT INFORMATION FOR CORRECT DISPOSAL OF THE PRODUCT IN ACCORDANCE WITH EC DIRECTIVE 2012/19/EU.**

Please render the appliance unusable before disposal. This includes removing the plug and breaking the door fixings to prevent children being trapped inside the appliance during play, or any other risk of injury.

At the end of its working life, the product must not be disposed of as urban waste. It must be taken to a special local authority differentiated waste collection centre or to a dealer providing this service.

Disposing of a household appliance separately avoids possible negative consequences for the environment and health deriving from inappropriate disposal and enables the constituent materials to be recovered to obtain significant savings in energy and resources.

As a reminder of the need to dispose of household appliances separately, the product is marked with a crossed-out wheeled dustbin. 

- Repairs carried out by unqualified persons may seriously endanger the appliance user
- Pursuant to Commission Regulation (EU) 2019/2019, The minimum availability period for spare parts necessary to repair the appliance is 7 or 10 years depending on the type and purpose of the spare part
- The list of spare parts and the ordering procedure are available on the websites of the manufacturer, importer or an authorised representative
- The minimum warranty period for the appliance offered by the manufacturer, importer or authorized representative is given in the warranty card
- The warranty shall be void if you make any independent adaptations or alterations, tamper with seals or other appliance safety devices or its parts or interfere with the appliance contrary to operating instructions

For more information about the product, please refer to the EU EPREL Product Database at <https://eprel.ec.europa.eu>.

Alternatively you can use your mobile device to scan the QR code on the energy label or enter the product model listed on the energy label in the EPREL search engine.


# Before first use

**You must allow the appliance to settle for at least twenty four hours prior to switching the power on.**

It is recommended that you remove all internal and external packaging and clean the interior of the appliance prior to first use. We recommend that you use a solution of bicarbonate of soda and warm water and then thoroughly dry the interior.

The appliance may have an odour to it at first use. This will disappear as the appliance cools.

## **Please note:**

- The appliance will work continuously until it gets to the correct temperature. Continuous noise from the compressor and refrigeration system is normal.
- If the appliance is switched off, you should allow five minutes before switching it on again to prevent the risk of unnecessary damage to the compressor.
- The LED display may not show the selected temperature whilst the appliance first gets to the correct temperature. This is normal, and the display will be corrected automatically once the appliance has run for a few hours.
- If the appliance does not have a freezer compartment (  ) it is not suitable for freezing foodstuffs.

## Use

- Only store wine in sealed containers.
- Do not overload the cabinet.
- Only open the door when necessary. Opening the door for long periods can cause a significant increase in temperature of the compartments of the appliance
- Do not cover the shelves with aluminium foil or anything else that will prevent air from circulating around the cabinet.
- To prevent damage to the door seal, ensure the door is fully open before removing the shelves.
- Do not pull the shelves beyond the anti-stop position (approximately one third out) when fully loaded.
- This appliance is intended to be used exclusively for the storage of wine.
- In the event of a power failure, leave the door closed as much as possible to maintain the internal working temperature. Should the power failure continue for a prolonged period, you should take steps to protect the contents of the wine cooler against a rise in temperature. The wine cooler will remember the selected temperature settings and revert to these settings once the power is restored.

This appliance is suitable for use in an extended temperature climate (ST) and has a normal operating ambient temperature of 16-38°C. Use of the appliance below 16°C may cause performance issues that are not indicative of a fault. Normal operation will resume once the appliance is within the specified range.

# Use and controls

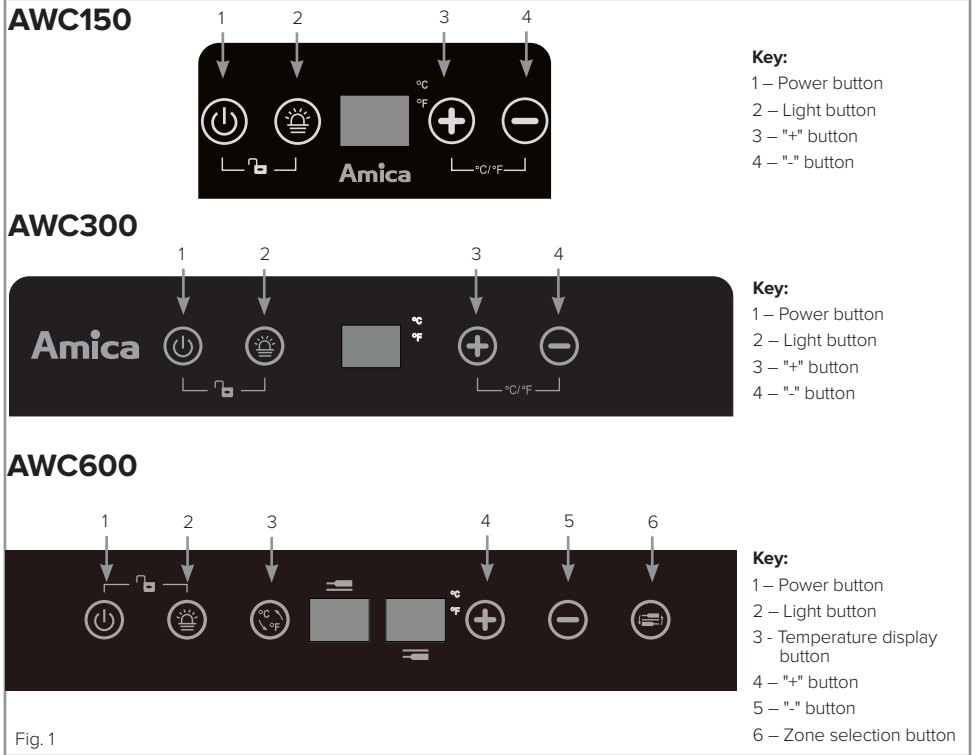


Fig. 1

## To lock/unlock the control panel - all models



- Press and hold the power button (🔌) and the light button (💡) for approximately 4 seconds.
- The control panel locks automatically after approximately 15 seconds of inactivity.

## To switch the power on/off - all models


- Press and hold the power button (🔌) for approximately 4 seconds to switch the wine cooler on.
- Press and hold the power button (🔌) for approximately 4 seconds to switch the wine cooler off.



## To change the temperature - all models

- Unlock the control panel, if necessary.
- Press the  or  buttons until the required temperature is shown on the display.
- The display flashes when temperature adjustment is active or a different temperature is being set.
- What the wine cooler display does next is dependent upon what temperature display you have active (see pages 9-10).

## To change the zone control - AWC600

- Unlock the control panel, if necessary.
- Press the  button. The 'active' display will flash.
- The temperature ranges are 5-12°C for the upper zone (left display) and 12-20°C for the lower zone (right display).

## To change the temperature reading - AWC300 & AWC150


The temperature of the wine cooler ranges from 5-20°C.

You can change the temperature display reading from Fahrenheit to Celsius, or Celsius to Fahrenheit. To do so:

- **Ensure the control panel is locked.**
- Press and hold the  or  buttons for approximately 4 seconds.

## To change the temperature reading - AWC600

You can change the temperature display reading from Fahrenheit to Celsius, or Celsius to Fahrenheit. To do so:


- **Ensure the control panel is unlocked.**
- Press the  button.

## Optimal temperature selection

Below is a table showing the recommended storage temperatures for different types of wine. These are also the ideal drinking temperatures for most types.

Wine Type	Recommended Temp.
Red Wine	15 - 18°C (59°F-64°F)
Dry/White Wine	9 - 14°C (48°F-57°F)
Rosé Wine	10 - 11°C (50°F-52°F)
Sparkling Wine	5 - 8°C (41°F-46°F)

## To use the internal light

- Unlock the control panel, as per page 8, if necessary.
- Press the light button  to switch the light on or off.

# Temperature display

This appliance has two options for the temperature display. One option shows the set or target temperature in the wine cooler. The other option shows the real temperature within the wine cooler, and can be useful for actively monitoring the wine cooler's behaviour. Descriptions and further information on these display options are shown below.




## Set temperature display

- The temperature display will show the set temperature (the temperature that the cooler is working to achieve).
- **A decimal point '.' next to the temperature signifies that the wine cooler is working to achieve the set temperature.** When the decimal point disappears, or if it is not present, the cooler's sensor has detected that the set temperature has been reached. The decimal point may reappear periodically when the cooling system kicks in to maintain the temperature.
- The display flashes when temperature adjustment is active or a different temperature is being set.

## Real temperature display

- The temperature display will show the real or actual temperature within the wine cooler.
- **A decimal point '.' next to the temperature signifies that the wine cooler is working to achieve the set temperature.** When the decimal point disappears, or if it is not present, the cooler's sensor has detected that the set temperature has been reached. The decimal point may reappear periodically when the cooling system kicks in to maintain the temperature.
- The display flashes when temperature adjustment is active or a different temperature is being set.

## To change the temperature display

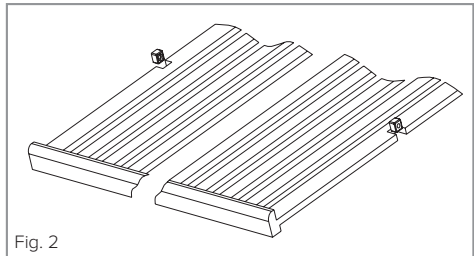
- **Ensure the control panel is locked.**
- Touch and hold the light button  and the  button for approximately 2 seconds.
- The display will show '02' or '01', depending upon which display setting has been active.
- Use the  button to switch between '02' and '01'. '02' is the **Set temperature display** mode and '01' is the **Real temperature display** mode. Once the mode you desire is shown on the display, touch nothing for approximately 5 seconds. The appliance should beep and switch to the new display mode.

# Care and cleaning

**IMPORTANT: Always disconnect the appliance from the mains electrical supply before any cleaning or maintenance.**

## Removing the shelves (AWC300 & AWC600)

- To remove a shelf from the AWC300 or 600, first remove all bottles from the shelf, then pull the shelf forwards until the groove on either side of the shelf is level with the plastic peg on either side of the cabinet (as shown in Fig 2). Then lift the shelf up and pull forwards.
- To replace the shelves, follow the steps above in reverse order.



## Cleaning

- **Do not use abrasive products or detergents.** After washing, rinse and dry thoroughly.
- The exterior of the appliance and the door seal should be cleaned using mild soapy water and dried thoroughly.
- The interior cabinet should be cleaned regularly using a solution of bicarbonate of soda and lukewarm water.
- Clean the shelves separately by hand using soap and water. Do not put them in the dishwasher.
- **Ensure that the cloth is only moist when cleaning the control panel and electrical parts, and that all water is thoroughly dried off before reconnecting the power.**
- Once cleaning is complete, reconnect the mains electrical supply.
- If the appliance is not to be used for prolonged periods of time, unplug and clean the appliance thoroughly. and ensure dry. The door should be left slightly ajar to prevent the formation of odours, mould or condensation.

## Temperature alarm

If the temperature rises or falls outside the set temperature range, an alarm will sound and the display may show a fault.

This may be because:

- The wine cooler has not yet reached the set temperature (when first switched on) or is taking a long time to reach it.
- There has been a power failure.
- The wine cooler has been overloaded or damaged.
- The door is not closed properly.
- The temperature sensor has failed (see page 15).

**Please note:** If the wine cooler has overheated and the alarm is sounding because of this, the system will shut down automatically after 6 hours of the alarm tripping. The warnings will continue however.

# Troubleshooting

**If you have any problems with your appliance, you should check the troubleshooting guide prior to calling Amica Customer Care.**

**If the appliance is not working, check**

- There is power to the appliance
- The house fuses or circuit breakers are intact and the fuse in the plug has not blown.
- The plug socket is functioning correctly. To check this, plug another electrical appliance in to see if the socket is working.
- The ambient temperature is between 16°C to 38°C.

### **The appliance is working, but not very well, check**

- The appliance is not overloaded.
- The thermostat is set to an appropriate temperature.
- The door is closing properly.
- The door gasket is sealing properly
- There is enough ventilation at the side and rear walls.
- The ambient temperature is between 16°C to 38°C.

### **The appliance is noisy, check**

- The appliance is level and stable.
- The cooling gas will make some noise, even when the compressor is not running.
- During operation, it is normal for the fan to run, even when the compressor is not running.

### **The appliance is turning cooling on and off frequently**

- The internal temperature is fluctuating, causing the system to cool.

### **The light does not work, check**

- There is power to the appliance.
- The house fuses or circuit breakers are intact and the fuse in the plug has not blown.
- The light button is not set to off (unlock the panel first as per page 7).

### **Please note:**

The LED lighting cannot be replaced without a service call. If the light

fails, contact Amica Customer Care.

### **The door will not close properly, check**

- The appliance is level and stable.
- If the door has been removed, it may not have been correctly refitted.
- Whether the door seal is dirty.
- The shelves are positioned correctly.

### **The display shows “LL” or “HH”**

- The temperature sensor has failed. Please contact Amica Customer Care.

## **Installing the wine cooler**

**This appliance is intended to be installed in a space between two units. If it is to be freestanding in an open space, ensure that it can not cause harm nor damage.**

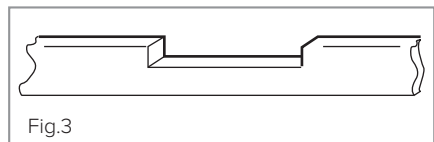
### **The minimum space required is:**

AWC150 – 158mm W x 525mm D x 830/885mm H

AWC300 – 305mm W x 570mm D x 830/885mm H

AWC600 – 605mm W x 570mm D x 830/885mm H

Please note: When the product is installed, the measurements above will ensure a minimum 5mm ventilation gap around the product.





## These products should not be installed:

1. In direct sunlight.
2. Adjacent to a heat source (oven or radiator).
3. Below a hob unit.
4. In a damp or wet environment

Where a continuous plinth is to be used, it is necessary to cut a section out so that the ventilation slots at the front of the appliance are not obstructed in any way as per Fig 3.

This appliance is designed to fit under worktops between 830 – 885mm in height, using the adjustable plinth plate to ensure that the feet are concealed from view.

**IMPORTANT: Failure to follow the instructions regarding installation and ventilation may invalidate the warranty supplied with your appliance.**

## To install the handle

**IMPORTANT: DO NOT REMOVE THE SCREWS FROM THEIR POSITION IN THE DOOR (Fig. 4) PRIOR TO FITTING THE HANDLE AS FIXINGS MAY DROP INTO THE DOOR. The door seal holds the screws in place during transit. Do not overtighten the screws, and do not use power tools to install the handle.**



**Screw hole + screw**

1. Peel back the door seal from the glass side to expose the screw holes, as per Fig. 4. Place a screwdriver against the screw and hold it in position.
2. Carefully locate the handle over the fixing screw.
3. Using a screwdriver, tighten the securing screw to fix the handle. Repeat with the remaining handle fixing screw.

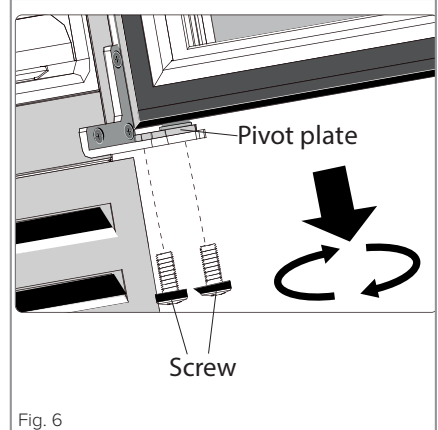
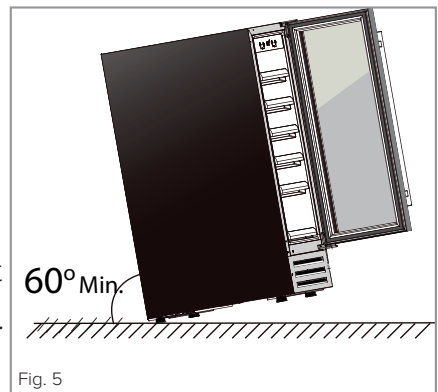
**IMPORTANT: Take care, when installing the handle, not to damage the door. Any damage caused may not be covered by the warranty supplied with your appliance.**

## Reversing the door

The following instructions are based on a wine cooler with the door hinged on the right hand side. We strongly recommend seeking the help of at least one other individual during this process.

Before starting the reversal process, ensure that you have the left hand upper and lower hinges. These are supplied with your product.

**Do not tilt the appliance backwards further than an angle of 60° (Fig.5).**



1. With the help of another, open the door and support it. Loosen and remove the two screws from the pivot plate of the lower right hinge, as per Fig. 6.

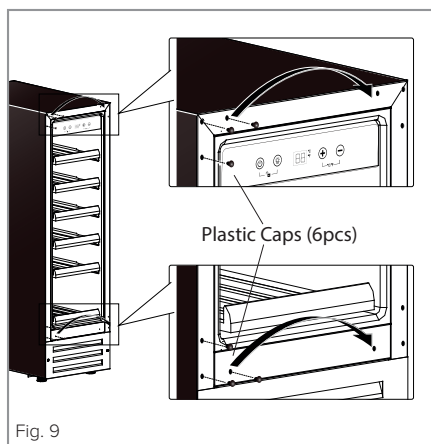
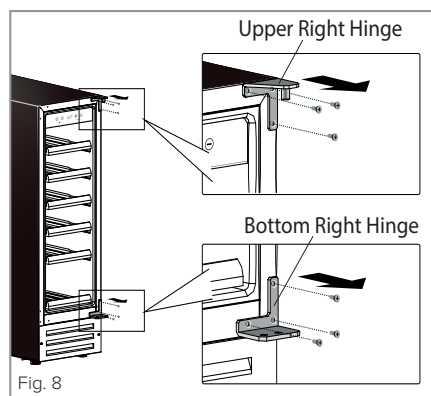
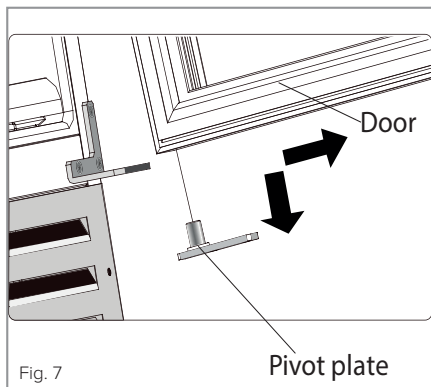
2. Move the door away from the wine cooler slightly and remove the pivot plate from the bottom of the door as per Fig. 7. Lower the door from the upper hinge and place it somewhere safe where it will neither cause nor receive damage.

3. Remove the three screws from both the upper hinge and the lower hinge, taking care not to let them fall, as per Fig. 8. Remove the hinges and place them somewhere safe in case they are needed in the future.

4. Remove the plastic caps from the left hand hinge positions and fit them into the now empty right hand hinge holes, as per Fig. 9.

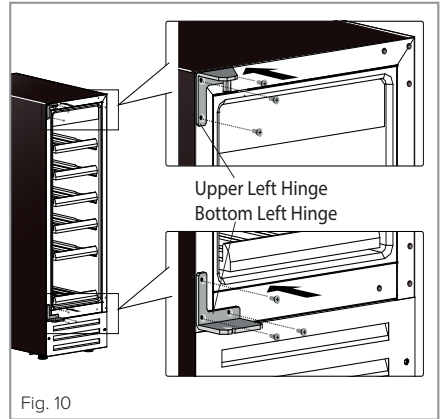
5. Fit the supplied upper left hinge and lower left hinge to the appliance as per Fig. 10. These are mirror opposites of their right-handed counterparts.

6. Turn the door around by 180° (upside down) so that the handle is now on the right (Fig. 11). Insert the pivot plate into the now-bottom of

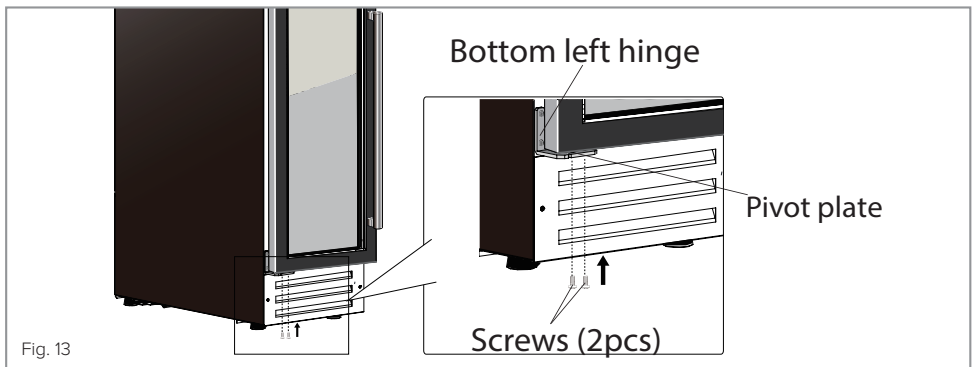
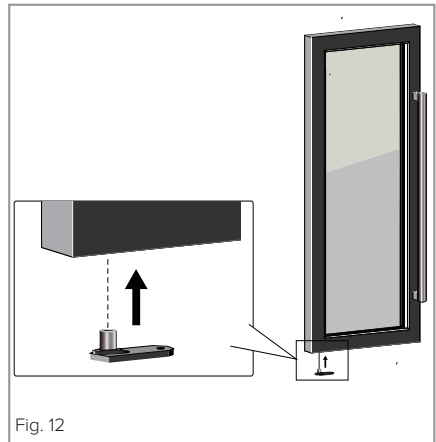


the door as per Fig. 12.

7. Guide the door onto the upper hinge pivot and manoeuvre the lower part of the door and pivot plate onto the lower hinge. Align the pivot plate holes with the hinge plate holes.
8. Reinsert the two screws that you removed in step 1 and tighten them.



Check that the door sits level with the appliance. If not, the pivot plate offers some adjustment - loosen the screws you have just tightened and adjust the door as necessary.

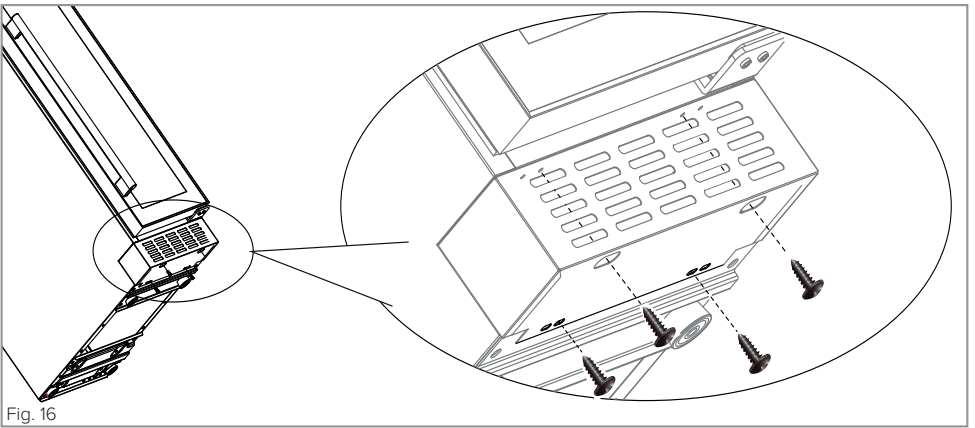
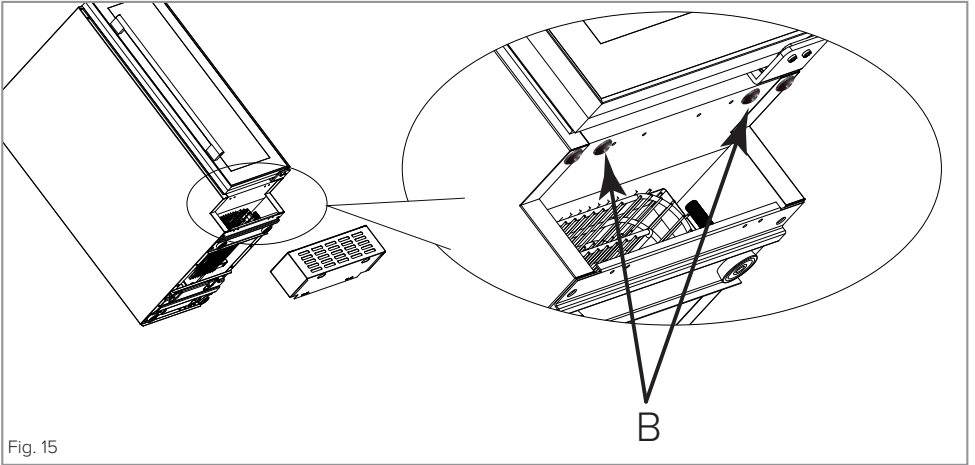
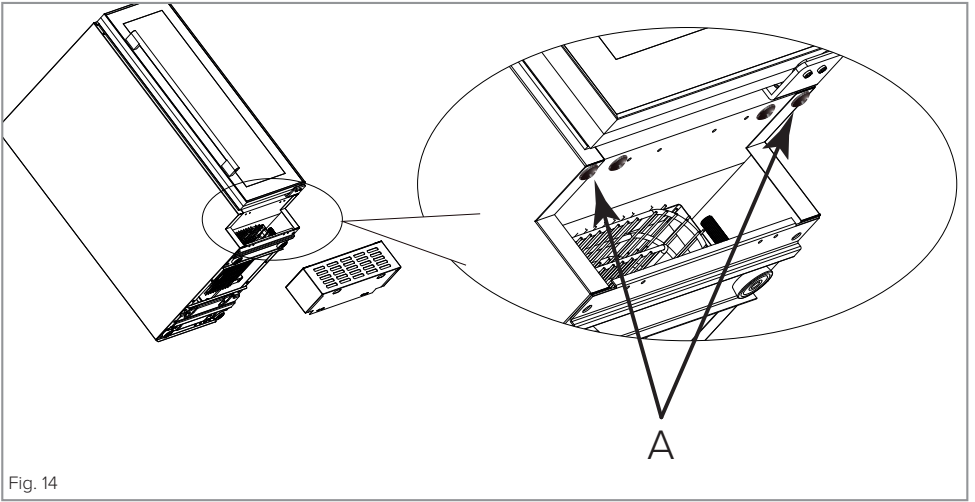


# Fitting the plinth

The plinth/grille for this appliance comes packaged inside and can be fitted if desired. Follow these steps to do so:

1. Locate the plinth (packaged inside the appliance)
2. Remove the four screws from (two on each side of) the plinth section, but take care to support both sections to prevent the adjustable section from falling away. Remove the adjustable front section and place this somewhere safe.
3. With the help of another individual, make sure the wine cooler is secure and tilt it backwards to gain full access to the area below the door. **Make sure that the door is kept closed at all times during this process in order to avoid damage to the door and appliance.**
4. If present, remove the two screws shown by arrows and marked as 'A' in Fig. 14. Then, locate the four black fitting screws. These are packaged inside the appliance with the door reversing hinge.
5. If present, remove the screws shown by arrows and marked as 'B' in Fig. 15. These are not needed.
6. Offer up the plinth, ensuring it is the same way up as per Fig. 16. Then, using a (magnetic tipped) screwdriver, insert two of the black fitting screws through the oval access holes (shown in Fig. 16) and tighten them.
7. Install a (black fitting) screw into each of the two lower holes (shown in Fig. 16). This will help to secure the plinth to the underside of the wine cooler.

(Steps continued on page 22)



- Adjust the wine cooler feet so that you achieve the desired height for the cooler. If needed, re-attach the extendable plinth section with the four screws that were removed in step 2. Stand the wine cooler up steadily - if the extendable section will foul the floor or similar, remove it. **Allow the wine cooler to stand for 24 hours before plugging it in.** This will help to prevent damage to the system.

## Adjusting the plinth

The plinth/grille for this appliance comes with an adjustable section. The process for adjusting the plinth trim is simple and is achieved by following the steps below. Perform these steps once the appliance is standing on all four feet and do not put weight on the plinth.

- Loosen the two screws on each side of the plinth trim (four altogether - Fig. 17).
- Carefully guide the front trim down until the desired height is achieved. Tighten the screws.

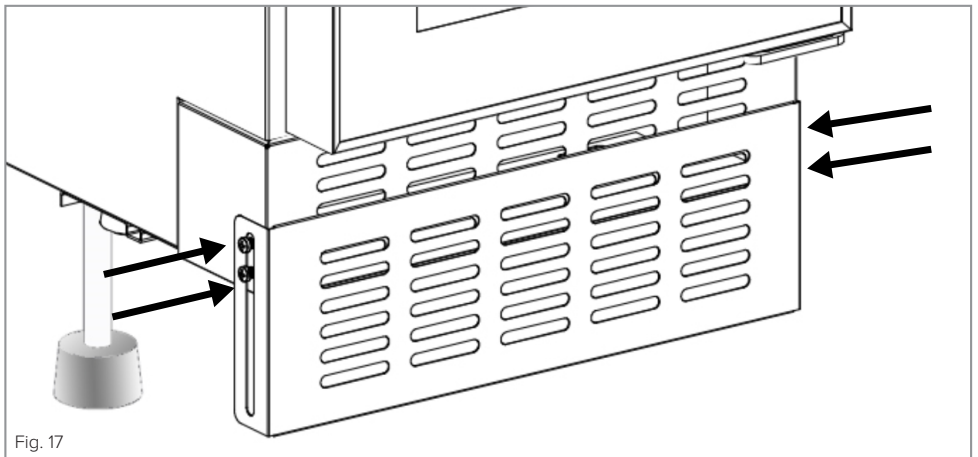


Fig. 17

# Electrical information

**Warning! This appliance must be earthed.**

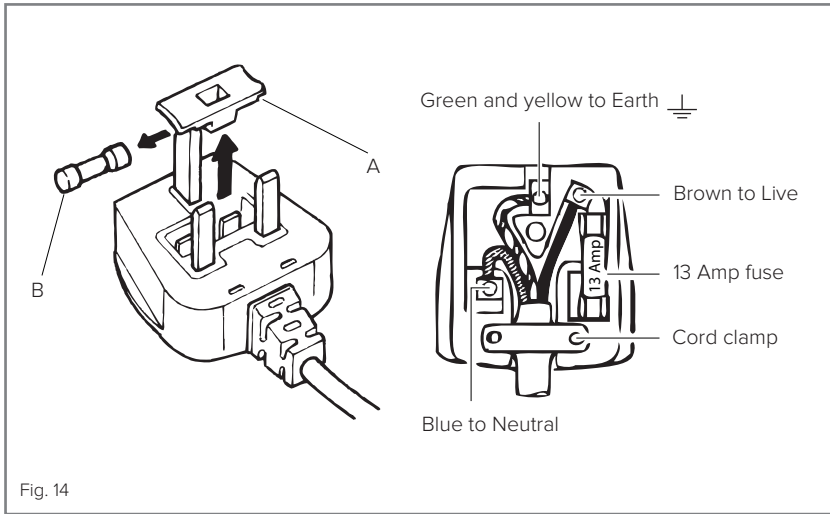


Fig. 14

The mains lead of this appliance has been fitted with a BS 1363A 13 amp fused plug. To change a fuse in this type of plug, follow the steps below:

1. Remove the fuse cover and fuse.
2. Fit replacement 13A fuse, ASTA approved to BS 1362 type, into the fuse cover.
3. Replace fuse cover.

**Important: Do not use the appliance without the fuse cover in position.**



## **How to connect an alternative plug**

If the fitted plug is not suitable for your socket outlet, then it should be cut off and disposed of safely to avoid possible shock hazard. A suitable alternative plug of at least 13 Amp rating to BS 1363 should be used.

As the colours of the wires in the mains lead of this appliance may not correspond with the coloured markings identifying the terminals in your plug, proceed as follows:-

- The wire which is coloured GREEN and YELLOW must be connected to the terminal which is marked with the letter (E) or by the Earth symbol  $\perp$  or coloured GREEN and YELLOW.
- The wire which is coloured BLUE must be connected to the terminal which is marked with the letter (N) or coloured BLACK.
- The wire which is coloured BROWN must be connected to the terminal which is marked with the letter (L) or coloured RED.

If in doubt regarding the electrical connection of this appliance, consult a qualified electrician. Do not shorten the supply cable; the appliance may require removing for servicing.

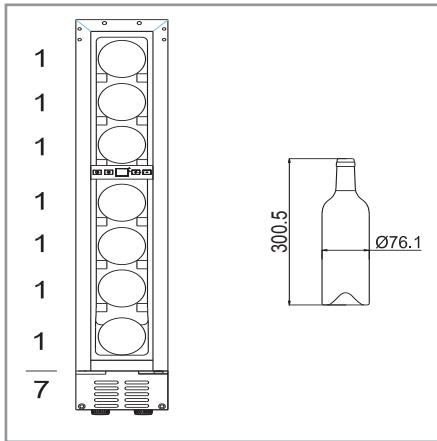
**N.B. Ensure that the plug socket is situated in an easily accessible place.**

# Bottle storage

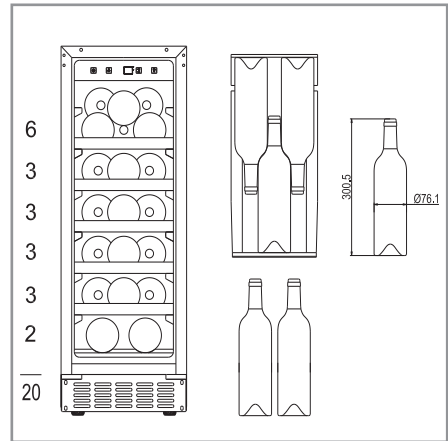
To achieve the most effective preservation of your wine for the longest time possible and avoiding any waste, position the products as shown in the diagrams in this section. In addition, this figure illustrates the layout of drawers, baskets and shelves, which allows the most efficient use of energy.

Optimal temperature and storage conditions will extend product shelf life and optimize electricity consumption. Optimal storage temperature should be stated on the food product packaging.

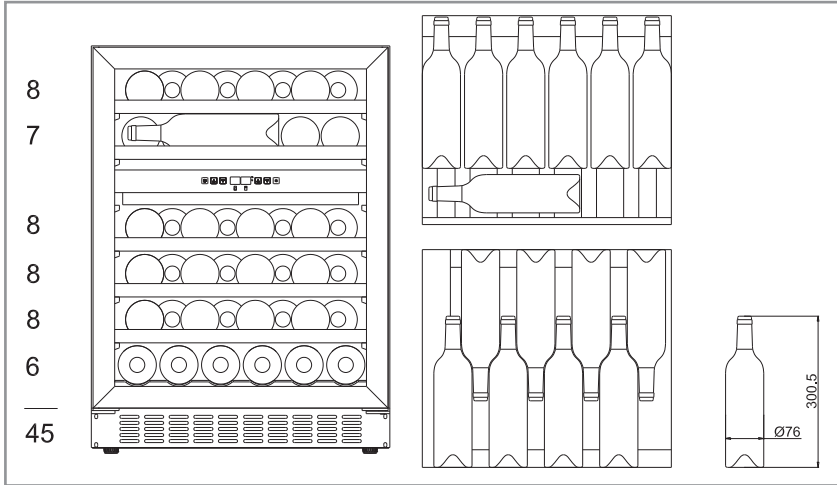
AWC150



AWC300



# AWC600



## Climate range

The information about the climate range of the appliance is provided on the rating plate. It indicates at which ambient temperature (that is room temperature in which the appliance is working) is optimal for the operation of the appliance

Climate class		Allowable ambient temperature
SN	Extended Temperate	This refrigeration appliance is intended for use at an ambient temperature ranging between 10°C and 32°C
N	Temperate	This refrigeration appliance is intended for use at an ambient temperature ranging between 16°C and 32°C
ST	Sub Tropical	This refrigeration appliance is intended for use at an ambient temperature ranging between 16°C and 38°C
T	Tropical	This refrigeration appliance is intended for use at an ambient temperature ranging between 16°C and 43°C

**Amica**  
**The CDA Group Building**

Harby Road  
Langar  
Nottinghamshire  
NG13 9HY

**Sales Department**  
**Phone:** 01949 862010

**Amica Customer Care**  
**Phone:** 01949 862012  
**Email:** [customer.care@cda.eu](mailto:customer.care@cda.eu)

